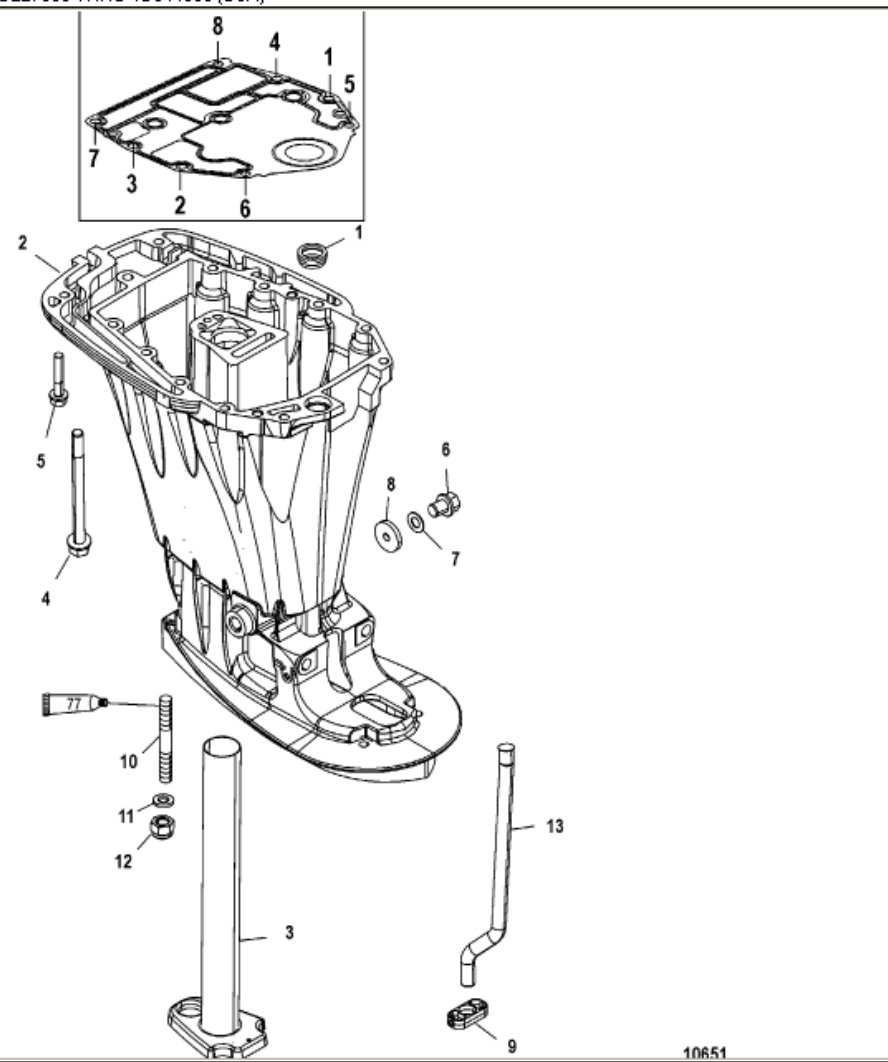


Parts List



Ref	Class	Part	Description	Qty	Comment	Footnote
1		42941001	SEAL, Water Tube	1		
2	1501	850168T 5	DRIVESHAFT HOUSING	1		
3		NSS	NOT SOLD SEPARATE, Exhaust	1		
4	10	824459110	SCREW, (M8 x 110)	8		
5	10	889608 45	SCREW, (M8 x 45)	5		
6		828818 1	DRAIN PLUG	1		
7	27	828816	GASKET	1		
8		826276	BUMPER	2		
9	54	828529	GUIDE	1		
10	16	823984	STUD, (M10 x 50)	1		
11	12	856774	WASHER, (.406 x .750 x .105)	1		
12	11	40140	NUT, (M10)	1		
13	32	850169002	WATER TUBE	1		